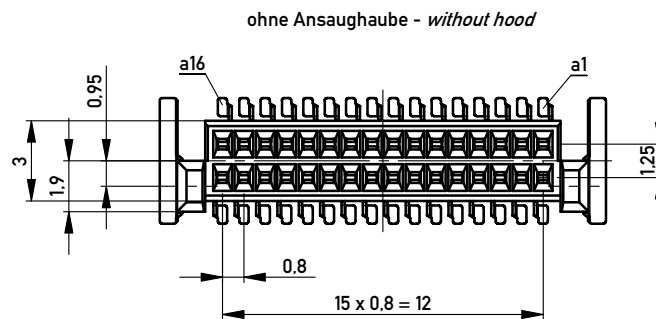
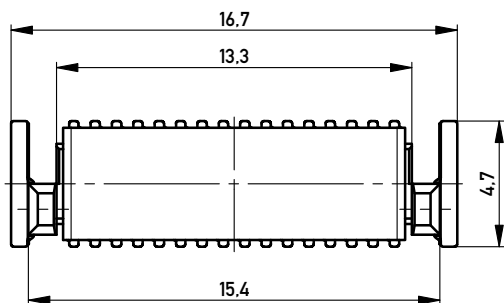
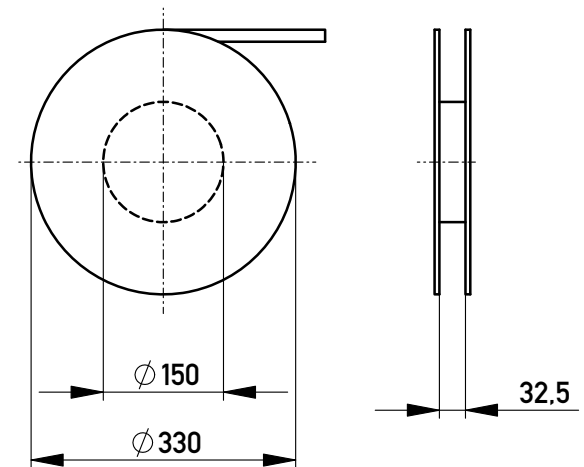
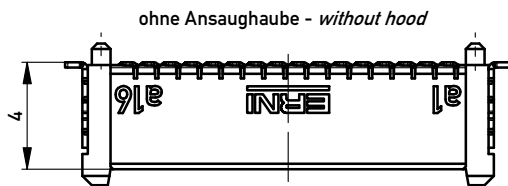
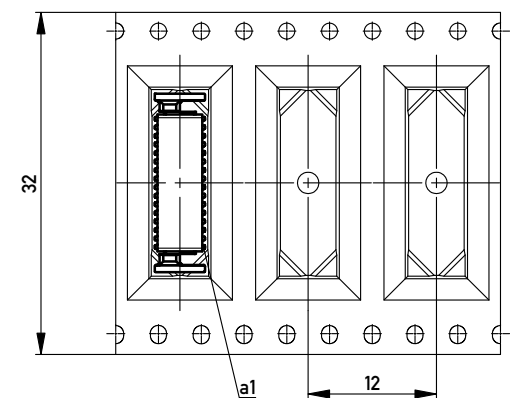


Verpackt in Gurtverpackung - *Tape on Reel Packaging*
 Verpackungseinheit: 840 Stück - *Packaging unit: 840 pcs*



ohne Ansaughaube - *without hood*

Abspulrichtung - *Reel off Direction*



ohne Ansaughaube - *without hood*

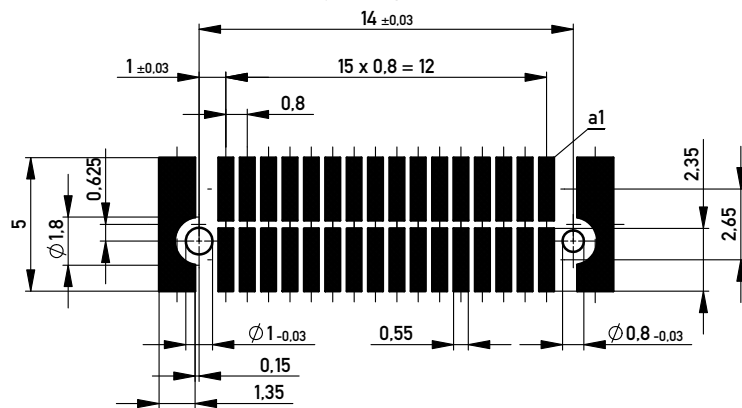
Anforderungsstufe 2
Performance Level 2

Kontaktbereich vergoldet
Mating Area gold plating

Anschlussbereich verzinkt 4-6 µm
Terminal Area 4-6 µm tin plating

Koplanarität der Anschlüsse ≤ 0,1 mm
Coplanarity Area of Termination ≤ 0,1 mm

Leiterplatten-Layout Vorschlag für SMT
PCB-Layout Proposal for SMT



Information:	Tolerances	 All Dimensions in mm	Scale	5:1
	All rights reserved. Only for Information. To ensure that this is the latest version of this drawing, please contact one of the ERNI companies before using.			
Subject to modification without prior notice. Drawing will not be updated.	www.ERNI.com		Designation 0,8 DRC-B, F 4mm, 32 polig <i>0,8 DRC-B, F 4mm, 32 pin</i>	
	Class DRCB		294004 I A3	
Index	Date			

Copyright by ERNI GmbH.
 Proprietary notice pursuant to ISO 9006 to be observed.